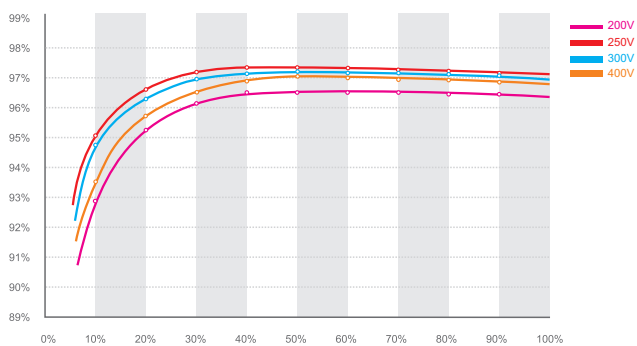


## Leading - edge Technology

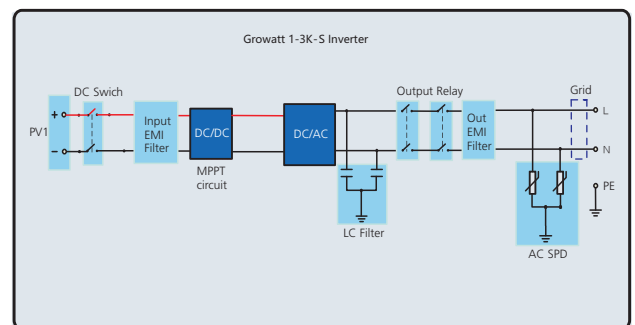
- ▶ Maximum efficiency of 97.6% and wide input voltage range
- ▶ Internal DC switch
- ▶ Transformerless GT topology
- ▶ Compact design
- ▶ Ethernet / RF technology / Wi-Fi
- ▶ Sound control
- ▶ Easy installation
- ▶ Comprehensive Growatt warranty program



Growatt 2500-S efficiency



Growatt 2500-S topology



## Datasheet

## Growatt 2500-S

### Input data (DC)

Max. recommended PV power(for module STC)	3250W
Max. DC voltage	500V
Start voltage	80V
PV voltage range	70V-500V
MPP work voltage range/ nominal voltage	70V-500V/360V
Full load dc voltage range	250V-450V
Max. input current	12A
Max. input current per string	12A
Number of independent MPP trackers /strings per MPP tracker	1/ 1

### Output (AC)

Rated AC output power	2500W
Max. AC power	2500W
Max. output current	11.9A
AC nominal voltage	220,230,240V
AC grid frequency	50Hz,60 Hz
Power factor	1
Displacement power factor, configurable	0.8leading...0.8lagging
THDI	<3%
AC connection	Single phase

### Efficiency

Max. efficiency	97.6%
Euro weighted efficiency	97.3%
MPPT efficiency	99.5%

### Protection Devices

DC reverse polarity protection	yes
DC switch	yes
Output over current protection	yes
Output over voltage protection-varistor	yes
Ground fault monitoring	yes
Grid monitoring	yes
Integrated all - pole sensitive leakage current monitoring unit	yes

### General Data

Dimensions (W / H / D) in mm	271*320*142
Weight	8.8KG
Operating temperature range	- 25°C ... +60°C
Noise emission (typical)	≤25 dB(A)
Altitude	2000m without derating
Self-Consumption night	<0.5 W
Topology	Transformerless
Cooling concept	Natural
Environmental Protection Rating	IP65
Relative humidity	100%

### Features

DC connection	H4/MC4(opt)
AC connection	Connector
Display	LCD
Interfaces: RS232/ RF/ Wi-Fi/ LAN/GPRS	yes /opt/opt/opt/opt
Warranty: 5 years / 10 years	yes /opt

### Certificates and Approvals